



## FLV Series Simplex Bag Filters

SINGLE LENGTH – 16" GFPP  
 1-1/4" TO 2" PIPE SIZES

### KEY FEATURES

- Platinum Glass Filled Polypropylene
- One-Piece Injection Molded Construction
- Hand Removable, Ergonomic Cover with Liquid Displacing Dome
- Vent Valve Included On Cover
- Rated up to 100 GPM
- True Union Socket, Threaded or Flanged End Connections
- In-Line or Loop Flow Configurations
- Hinged Basket for Easy Bag Removal
- Drain Port at Bottom
- Integral Mounting Base

### BENEFITS

- Easier Installations Due to True Union Connectivity
- Simplified Bag Removal From Hinged Basket
- Vertical Flow Flutes in Basket, No Bag Snag and More Flow Area

### TYPICAL APPLICATIONS

- Water and Wastewater Treatment
- Chemical Processing
- Food and Beverage
- Metal Plating
- Aquatic and Animal Life Support Systems
- Water/Theme Parks
- Aquaculture

### OPTIONS

- Gauge with Gauge Guard
- Pressure Differential Gauge and Switch
- EPDM O-Ring Seals
- Cartridge Adapters

### MATERIALS

- GFPP Cell Class 85580 per ASTM D4101
- FPM Standard O-Ring Seals

## TECHNICAL INFORMATION

### SELECTION CHART

SIZE / BODY MATERIAL	END CONNECTIONS	PIPING SIZES	O-RING SEALS	PRESSURE RATING (BAR)
Single Length 7" x 16" GFPP	GFPP (Threaded and Flanged)	1-1/4" – 2" rated @ 100 GPM*	FPM or EPDM	150 PSI @ 70°F Non-Shock (10 Bar / 1 MPa @ 21°C)
	PVC (Socket and Flanged)			
	CPVC (Socket and Flanged)			

\* May be Limited by Pipe Size or Bag Choice

# FLV Series Simplex Bag Filters

SINGLE LENGTH – 16" GFPP  
1-1/4" TO 2" PIPE SIZES

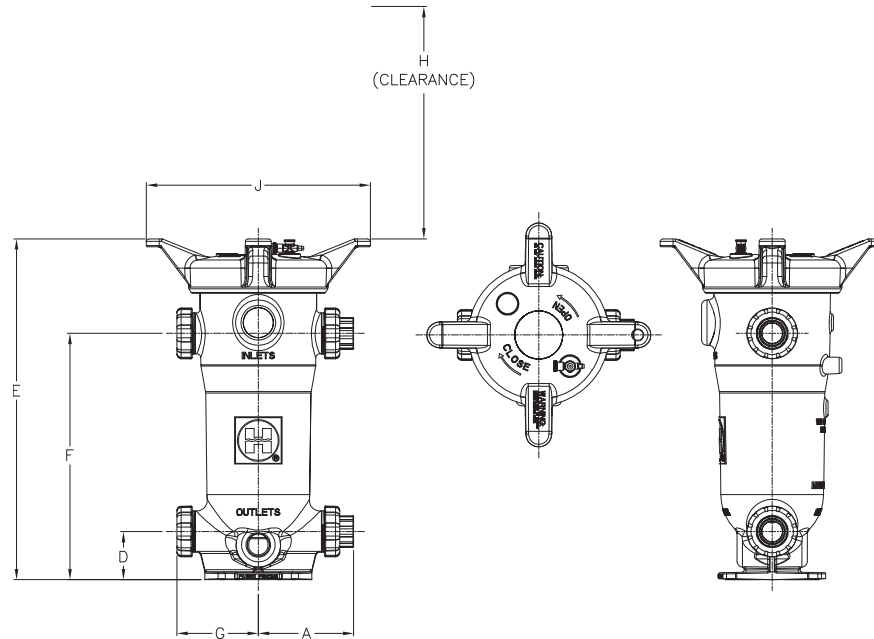
Quick & Discounted Pricing  
**Click Here**  
Or Call 908.362.9981

## TECHNICAL INFORMATION, CONTINUED

### PARTS LIST\*

1. Vent Valve (Included)
2. Cover
3. Filter Vessel Body
4. End Connector
5. Assembly Nut
6. Alternate 2" NPT Ports
7. Integrally Molded Mounting Pad

\* See page 8 for a complete Parts List



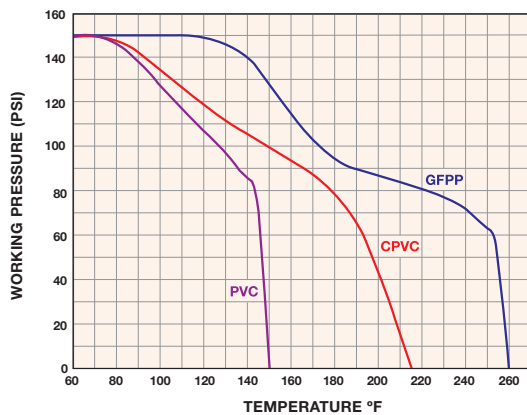
### DIMENSIONS – INCHES / MILLIMETERS

VESSEL SIZE in / DN	A in / mm	D in / mm	E in / mm	F in / mm	G in / mm	H* in / mm	J in / mm
1-1/4" / 32	8.86 / 225	4.50 / 114	31.83 / 808	23.00 / 584	7.60 / 193	15.25 / 387	20.93 / 532
1-1/2" / 40	8.86 / 225	4.50 / 114	31.83 / 808	23.00 / 584	7.60 / 193	15.25 / 387	20.93 / 532
2" / 50	8.91 / 226	4.50 / 114	31.83 / 808	23.00 / 584	7.60 / 193	15.25 / 387	20.93 / 532

Dimensions are subject to change without notice – consult factory for installation information

\* Clearance from top for basket removal

### OPERATING TEMPERATURE / PRESSURE



### SPECIFICATIONS

**Material of Construction:** GFPP

**Inlet Connections:** GFPP (Threaded and Flanged)  
PVC (Socket and Flanged)  
CPVC (Socket and Flanged)

**Outlet Connections:** GFPP (Threaded and Flanged)  
PVC (Socket and Flanged)  
CPVC (Socket and Flanged)

**Bag Size:** Bag Size #1: 7" x 16"

**Pressure Rating:** 150 PSI @ 70°F Non-Shock

**O-Ring Seals:** FPM or EPDM

**Bag Ratings:** 1, 5, 10, 25, 50, 100, 150, 200, 400, 600 and 800 Microns

**Flow Rate:** 100 GPM (*May be Limited by Pipe Size or Bag Choice*)

**Basket Open Area Ratio:** 19:1

**Weight:** 47.8 lbs.



Hayward is a registered trademark of Hayward Industries, Inc. © 2012 Hayward Industries, Inc.