

TOPLINE™ Single Bag Filter Housing



The best single bag filter housing for the most demanding applications

Eaton's TOPLINE single bag filter housing is the best bag filter housing for the most demanding applications and features easy filter bag change-outs as well as providing optimum sealing of the filter bag.

This single bag filter housing is simply the best, from its high-performance design to its heavy-duty investment-cast components. Units come standard with filter bag size 01 or 02 stainless steel restrainer baskets.

Features

- Top inlet requires less headroom and allows liquid flow through the cover, improves sealing, reduces product loss and makes filter bag change-outs cleaner
- Smooth, bead-blasted finish, coupled with a minimum two-weld design makes it easy to completely clean the interior
- Adjustable mounting legs for simplified installation
- Designed in accordance with Section VIII, Division 1 of the ASME Code (standard in the US), "AD 2000-Merkblätter", EN 13445 and PED (standard in EMEA)

Options

- Available in carbon steel or 316 stainless steel for high corrosion resistance. 316 Ti stainless steel version available in EMEA
- Magnetic inserts to collect metallic chips, fines and dust for sizes 01 and 02
- Buna-N® O-rings for the cover are standard. EPDM, Viton®, PTFE encapsulated Viton or silicone rubber seals and gaskets are available
- Multiple I/O connections to suit application
- Available with eye-bolt closure or T-bolt closure for faster maintenance

Viton® is a registered trademark of E. I. du Pont de Nemours and company.

Quick & Discounted Pricing

Click Here

Or Call 908.362.9981

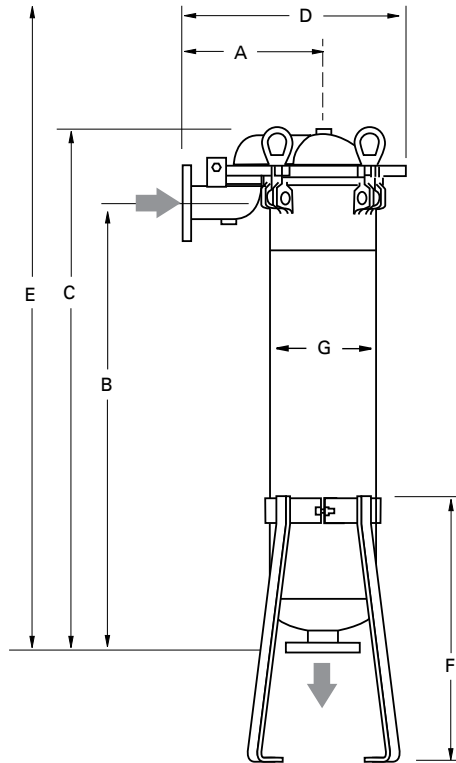


Top inlet connection with hinged cover make filter bag change-outs quick and easy

TOPLINE Single Bag Filter Housing

Applications

Coarse filtration > 500 µm	
Medium filtration > 10 µm	✓
Fine filtration < 10 µm	✓
Pre-filtration	✓
Safety filtration	✓
High volume	
Batch filtration	✓
Circuit filtration	✓
Continuous filtration	
Solvents, paints	✓
Fats and oils	✓
Catalyst, activated carbon	✓
Acids, bases	✓
Petrochemicals	✓
Water, waste water	✓
Chemical industry	✓
Pharmaceuticals	✓
Metal cleaning	
Automotive	✓
Electronics	✓
Food and beverage	✓
Paint and lacquer	✓
Water treatment	✓
Galvanic industry	✓



Dimensions - inch (mm)

Models	A	B	C	D	E	F	G
TBF-0101	12.10 (307)	15.50 (395)	21.25 (540)	19.10 (486)	32.00 (813)	19.25 (489)	8.62 (219)
TBF-0102	12.10 (307)	31.00 (790)	36.75 (934)	19.10 (486)	63.00 (1,600)	19.25 (489)	8.62 (219)
TTBF-0101*	13.78 (350)	14.76 (375)	22.44 (570)	19.69 (500)	34.72 (882)	24.41 (620)	8.62 (219)
TTBF-0102*	13.78 (350)	29.53 (750)	37.17 (944)	19.69 (500)	49.09 (1,247)	24.41 (620)	8.62 (219)

Dimensions for reference only and approximate. Exact dimensions for installation purposes available on request.
Metric measures represent comparable products produced for EMEA and may not be an exact conversion from inches.

Technical data

Models	No. of filter bags	Size	Flow rate ¹ GPM (m ³ /h)	Max. pressure psi (bar)	Max. temp. °F (°C)	Housing volume gal (l)	Housing weight lb (kg)	I/O connections
TBF-0101	1	1	88 (20)	150 (10)	400 (160)	3.5 (13.0)	80 (36)	2"
TBF-0102	1	2	176 (40)	150 (10)	400 (160)	7.25 (27.5)	93 (42)	2"
TTBF-0101*	1	1	88 (20)	150 (10)	400 (160)	3.5 (13.0)	80 (36)	2"
TTBF-0102*	1	2	176 (40)	150 (10)	400 (160)	7.25 (27.5)	93 (42)	2"

¹ Maximum theoretical flow based on water viscosity, filter bag specific.
Metric measures represent comparable products produced for EMEA and may not be an exact conversions. * Available in EMEA only.

Quick & Discounted Pricing
Click Here
Or Call 908.362.9981