

POLYLINE™ Single Bag Filter Housing



Choice of PPL or PVDF construction for ultra-pure or corrosive applications

PPL/PVDF models feature external cover threads

Eaton's POLYLINE single bag filter housing is an all-plastic, rugged polypropylene or PVDF construction for superior corrosion resistance.

The glass fiber reinforced polypropylene withstands high-pressure and temperature combinations.

This single bag filter housing has no metal components to rust, corrode or contaminate the process media and is ideal for contamination sensitive or severely corrosive applications. Units come standard with filter bag size 01 or 02 polypropylene or size 02 PVDF restrainer baskets.

Features

- All plastic construction with smooth interior surfaces makes it easy to clean
- Compression hold down creates 360 degree sealing between the filter bag and the bag filter housing

- Removable, "no tools required" spin-off cover for quick filter bag change-outs. Just a few turns of the cover using the built-in handle and the housing opens and closes with little effort
- Standard design available with threaded or flanged connections
- Vent/bleed valve installed on the housing cover and an integral mounting flange for rock-solid installation without the need for support legs
- Dual outlets allow either in-line or loop piping connections with other outlet used as a drain

Options

- Available in glass fiber reinforced polypropylene or PVDF
- Viton® seals and gaskets for the cover and restrainer basket are standard. EPDM seals and gaskets are available
- Multiple I/O connections to suit application
- Round bottom restrainer basket size 01 or 02 available in polypropylene

Viton® is a registered trademark of E. I. du Pont de Nemours and company.

EATON

Powering Business Worldwide

Quick & Discounted Pricing

Click Here

Or Call 908.362.9981

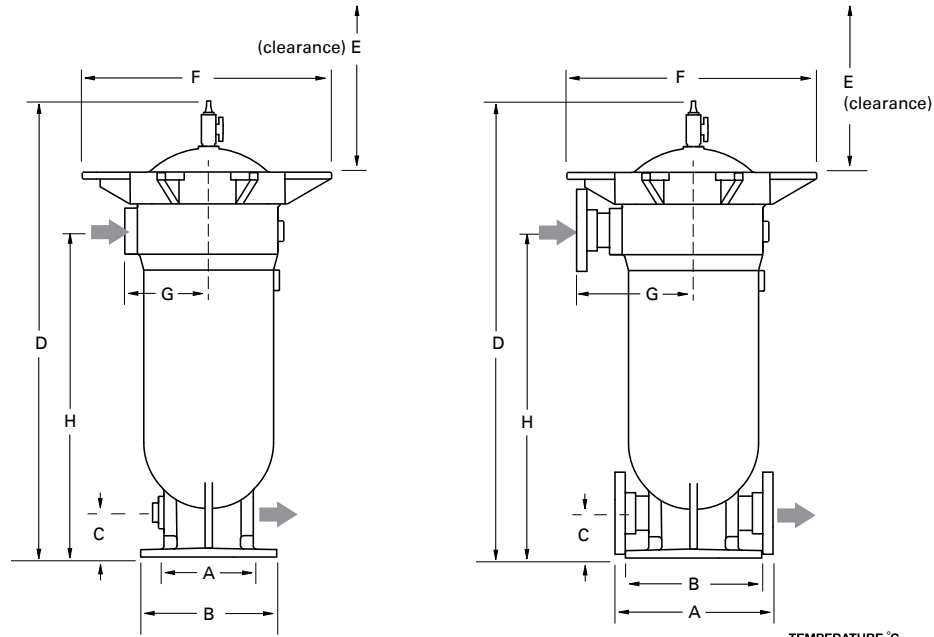
POLYLINE Single Bag Filter Housing

Applications

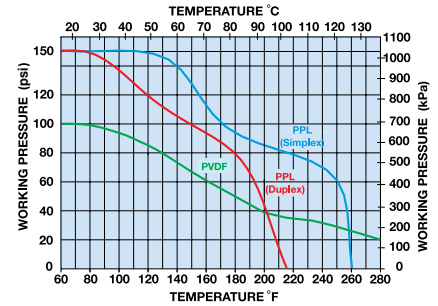
Coarse filtration > 500 µm	✓
Medium filtration > 10 µm	✓
Fine filtration < 10 µm	

Pre-filtration	✓
Safety filtration	
High volume	
Batch filtration	✓
Circuit filtration	✓
Continuous filtration	

Solvents, paints	
Fats and oils	
Catalyst, activated carbon	
Acids, bases	✓
Petrochemicals	
Water, waste water	✓
Chemical industry	✓
Pharmaceuticals	
Metal cleaning	
Automotive	
Electronics	✓
Food and beverage	
Paint and lacquer	
Water treatment	✓
Galvanic industry	✓



Operating temperature/pressure for POLYLINE single bag filter housings



Dimensions - inch (mm)

Models	A	B	C	D	E	F	G	H
PBF-0101 (thread)	6.50 (165)	10.00 (254)	3.25 (83)	34.12 (867)	20.00 (508)	18.38 (467)	6.13 (156)	23.88 (607)
PBF-0102 (thread)	6.50 (165)	10.00 (254)	3.25 (83)	50.12 (1,273)	36.00 (914)	18.38 (467)	6.13 (156)	39.88 (1,013)
PBF-0101 (flange)	5.69 (145)	10.00 (254)	3.25 (83)	34.12 (867)	20.00 (508)	18.38 (467)	8.63 (219)	23.88 (607)
PBF-0102 (flange)	5.69 (145)	10.00 (254)	3.25 (83)	50.12 (1,273)	36.00 (914)	18.38 (467)	8.63 (219)	39.88 (1,013)

Dimensions for reference only and approximate. Exact dimensions for installation purposes available on request. Metric measures represent comparable products produced for EMEA and may not be an exact conversions.

Technical data

Models	No. of filter bags	Size	Flow rate ¹ GPM (m ³ /h)	Max. pressure psi (bar)	Max. temp. °F (°C)	Housing volume gal (l)	Housing weight lb (kg)	I/O connections
PBF-0101 (thread)	1	1	88 (20)	150 @ 70 °F (10 @ 21 °C)	240 @ 70 psi (115 @ 4.8 bar)	9.5 (36)	49 (22.3)	2" thread
PBF-0102 (thread)	1	2	176 (40)	150 @ 70 °F (10 @ 21 °C)	240 @ 70 psi (115 @ 4.8 bar)	9.5 (36)	63 (28.6)	2" thread
PBF-0101 (flange)	1	1	88 (20)	150 @ 70 °F (10 @ 21 °C)	240 @ 70 psi (115 @ 4.8 bar)	6.6 (25)	53 (24.0)	2" flange
PBF-0102 (flange)	1	2	176 (40)	150 @ 70 °F (10 @ 21 °C)	240 @ 70 psi (115 @ 4.8 bar)	9.5 (36)	66 (30.0)	2" flange

¹ Maximum theoretical flow based on water viscosity, filter bag specific. ² Depending on seal material. Metric measures represent comparable products produced for EMEA and may not be an exact conversions.

Quick & Discounted Pricing

Click Here

Or Call 908.362.9981



Powering Business Worldwide

US
EF-FBH-15
10-2014

© 2014 Eaton. All rights reserved. All trademarks and registered trademarks are the property of their respective owners. All information and recommendations appearing in this brochure concerning the use of products described herein are based on tests believed to be reliable. However, it is the user's responsibility to determine the suitability for his own use of such products. Since the actual use by others is beyond our control, no guarantee, expressed or implied, is made by Eaton as to the effects of such use or the results to be obtained. Eaton assumes no liability arising out of the use by others of such products. Nor is the information herein to be construed as absolutely complete, since additional information may be necessary or desirable when particular or exceptional conditions or circumstances exist or because of applicable laws or government regulations.

