

E CLEARANCE FOR BASKET REMOVAL

NO.	PART NAME	MATERIAL
1	VENT PLUG	PVDF
2	COVER	PVDF
3	BODY	PVDF
4	BASKET	PVDF
5	O-RING	VITON
6	BAG RETAINER	PVDF
7	O-RING	VITON

- NOTES:
- PRESSURE RATING: 100 PSI @ 70° F (NON SHOCK) (6.9 BAR @ 21° C)
  - BAG SIZE:  
 BAG #2-DOUBLE LENGTH  
 7" X 32" (4.1 SQ.FT.)  
 178 MM X 813 MM (3809 SQ.CM.)

CERTIFIED FOR:  
 P.O. NO.:  
 REG. NO.:  
 QUOTE NO.:  
 TAG NO.:

(4) 0.88 DIA. (22 MM)  
 ON 7.50" (191 MM)  
 DIA. BOLT CIRCLE

PART NO.	A		B		C		D		E		F		G		H		J		WT. (DRY)	
	IN.	MM.	IN.	MM.	IN.	MM.	IN.	MM.	IN.	MM.	IN.	MM.	IN.	MM.	IN.	MM.	IN.	MM.	LBS.	KG.
FLT5202F	6.50	165	10	254	3.25	83	46.50	1181	36	914	18.00	457	9.88	251	39.50	1003	7.00	178	105	47.6

**Quick & Discounted Pricing**  
[Click Here](#)  
 Or Call 908.362.9981

		<b>EATON FILTRATION, LLC</b> 44 APPLE STREET, TINTON FALLS, NEW JERSEY 07724					
		NAME POLYLINE BAG FILTER 2" FLANGE CONNECTION PVDF					
DRAWN	FM	DATE	12/14/01	CERT.	LF	DATE	12/14/01
SIZE	DWG	SD021207				REV	C
A	NO						

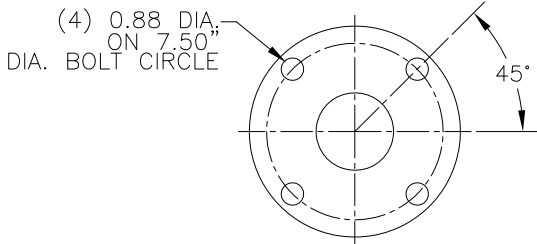
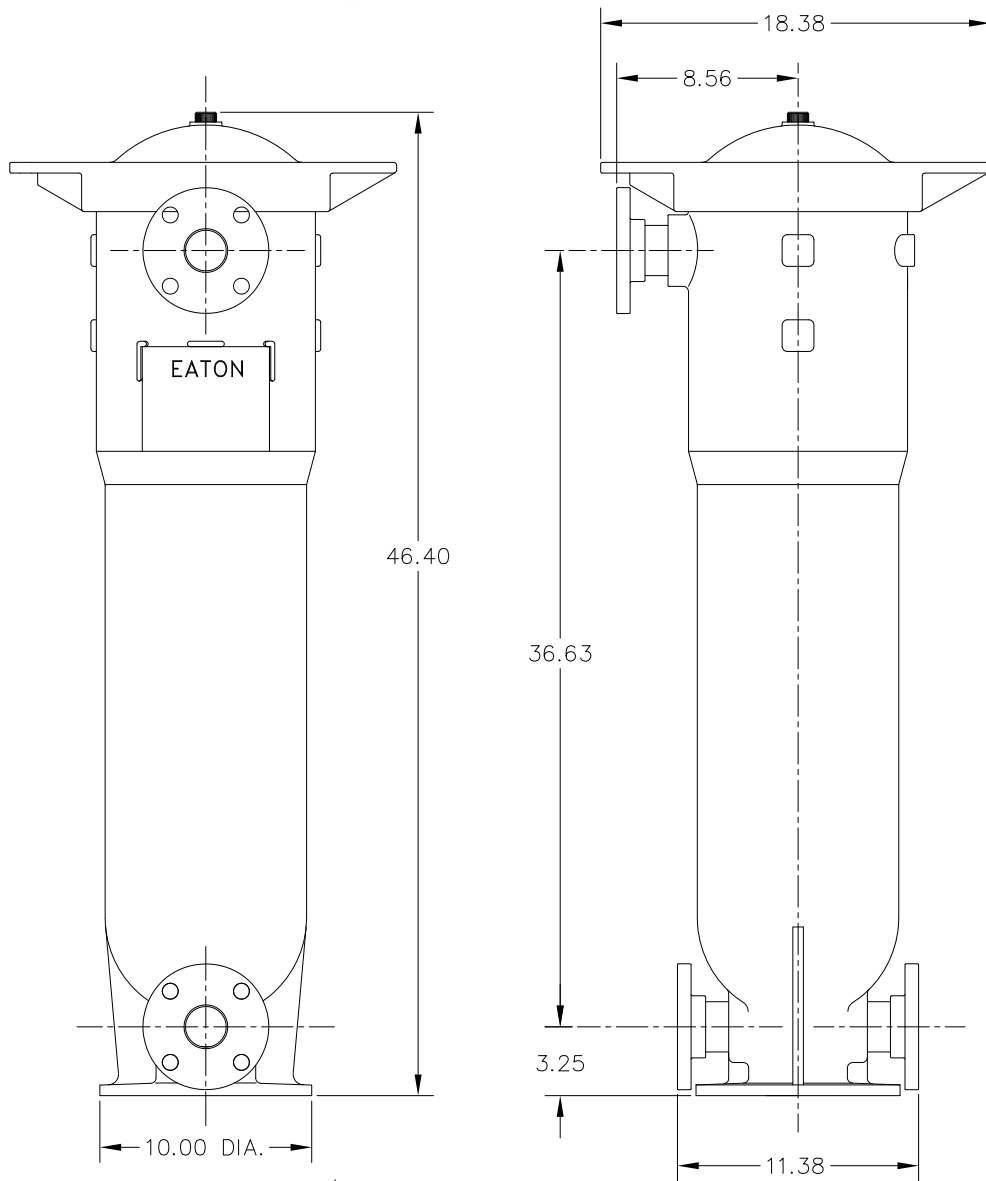
ELECTRONIC FILE NAME: SD021207.DWG  
 REF. ECR 0084609 DATE 4/26/13  
 UNAUTHORIZED USE, MANUFACTURE OR REPRODUCTION IN WHOLE OR IN PART IS PROHIBITED. DRAWING, DESIGN AND OTHER DISCLOSURES PROPERTY OF EATON FILTRATION, LLC

Quick & Discounted Pricing

**Click Here**

Or Call 908.362.9981


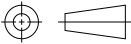
REVISIONS				
REV	DESCRIPTION	BY	ECO	DATE
A	NEW RELEASE	F.M.	0102075	9/9/2014



NOTES:

1. PRESSURE RATING: 100 PSI @ 70° F (NON SHOCK) (6.9 BAR @ 21° C)
2. INLET CONNECTION: 2" (50mm) FLANGE  
OUTLET/DRAIN CONNECTION: 2" (50mm) FLANGE
3. CARTRIDGE ADAPTER KIT ARE SOLD SEPARATELY.

**REQUIRES PURCHASE OF A FILTER CARTRIDGE ADAPTER KIT (SOLD SEPARATELY)**

DRAWN BY F.M.		 HYDRAULICS GROUP FILTRATION DIVISION GALESBURG, MICHIGAN, USA • TINTON FALLS, NEW JERSEY, USA			
RESTRICTION RESTRICTED		TITLE POLYLINE CARTRIDGE FILTER 2" FLANGE PVDF			
SHEET 1 OF 1		DATE 09/09/14		SIZE A	DWG FILENAME SD021400
PROJECTION THIRD ANGLE 		REV A			
CUSTOMER INFO		EATON CORPORATION - CONFIDENTIAL AND PROPRIETARY NOTICE TO PERSONS RECEIVING THIS DRAWING AND/OR TECHNICAL INFORMATION THIS DOCUMENT, INCLUDING THE DRAWING AND INFORMATION CONTAINED THEREON IS CONFIDENTIAL AND IS THE EXCLUSIVE PROPERTY OF EATON AT ANY TIME. BY TAKING THE POSSESSION OF THIS DOCUMENT THE RECIPIENT ACKNOWLEDGES AND AGREES THAT THIS DOCUMENT CANNOT BE USED IN ANY MANNER ADVERSE TO THE INTEREST OF EATON AND THAT NO PORTION OF THIS DRAWING MAY BE COPIED OR OTHERWISE REPRODUCED WITHOUT THE PRIOR WRITTEN CONSENT OF EATON, IN THE CASE OF CONFLICTING CONTRACTUAL PROVISIONS, THIS NOTICE SHALL GOVERN THE STATUS OF THIS DOCUMENT. 2014 EATON CORPORATION - ALL RIGHTS RESERVED.			
NAME					
P.O. NO.					
TAG NO.					
S.O. NO.					
PART NO.	CFLT5202F				