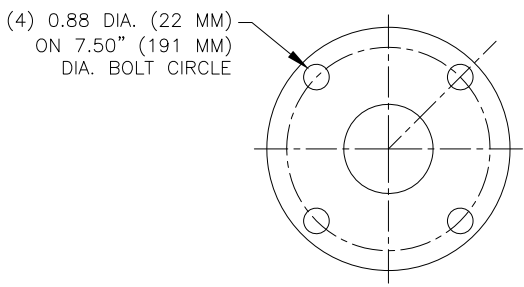


| NO. | PART NAME | MATERIAL |
|-----|----------------|------------------|
| 1 | VENT VALVE | GLASS-FILLED PPL |
| 2 | COVER | GLASS-FILLED PPL |
| 3 | BODY | GLASS-FILLED PPL |
| 4 | BASKET | GLASS-FILLED PPL |
| 5 | FLANGE ADAPTER | 2" CL. 150 PPL |
| 6 | PLUG | GLASS-FILLED PPL |
| 7 | O-RING | VITON |
| 8 | BAG RETAINER | GLASS-FILLED PPL |
| 9 | O-RING | VITON |

- NOTES:
- PRESSURE RATING: 150 PSI @ 70° F (NON SHOCK) (10.3 BAR @ 21° C)
 - DIFFERENTIAL PRESSURE GAUGE IS OPTIONAL.
 - INLET CONNECTION: 2" (50mm) FLANGE
OUTLET/DRAIN CONNECTION: 2" (50mm) FLANGE
 - BAG SIZES:
BAG #1-SINGLE LENGTH (FITS 210102F00)
7" X 16" (2.0 SQ.FT.)
178 MM X 406 MM (1858 SQ.CM.)
BAG #2-DOUBLE LENGTH (FITS 210202F00)
7" X 32" (4.1 SQ.FT.)
178 MM X 813 MM (3809 SQ.CM.)
 - FOR METAL PIPING INSTALLATION, A MINIMUM OF 20" PLASTIC PIPE IS REQUIRED ON UPSTREAM AND DOWNSTREAM OF FILTER VESSEL.



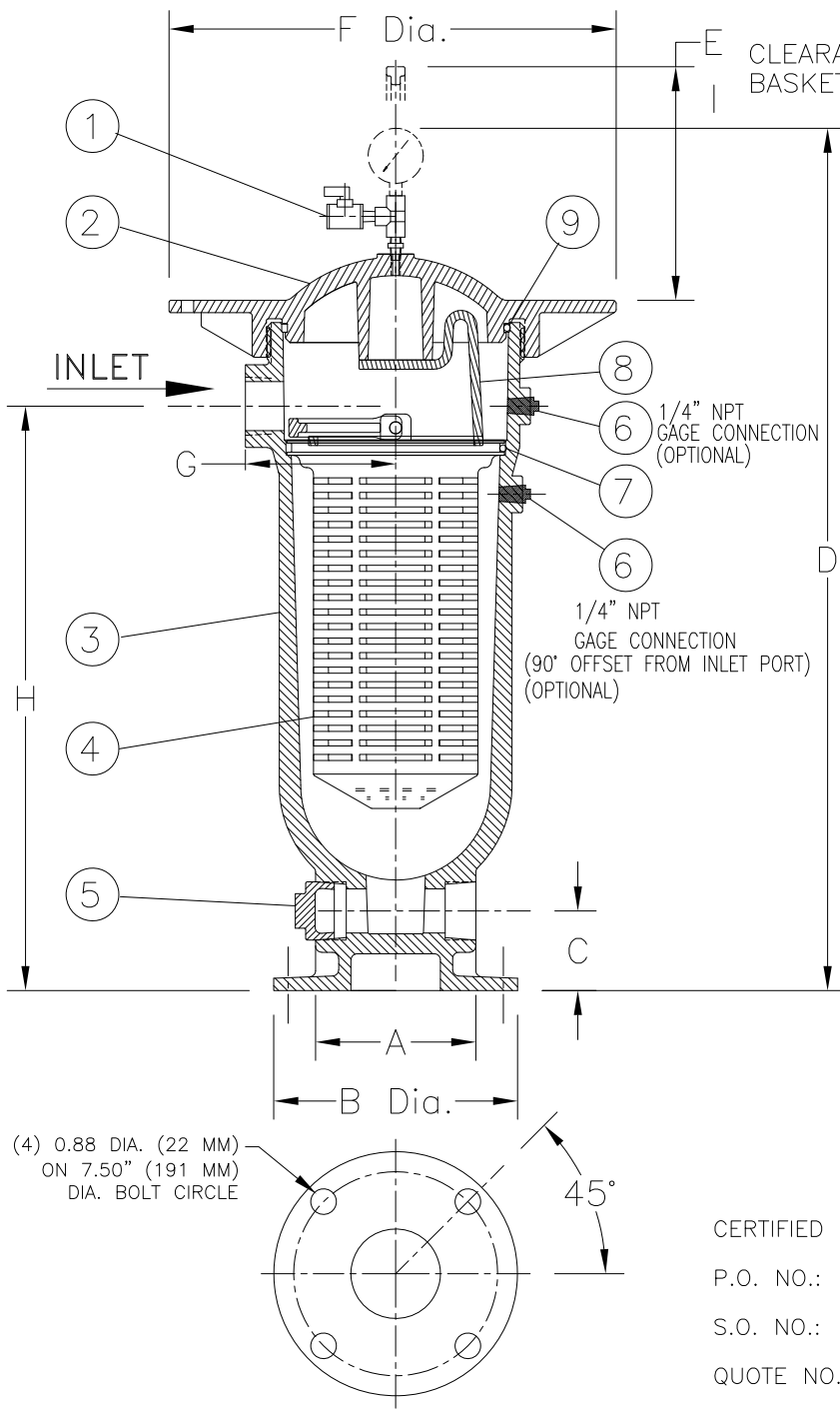
CERTIFIED FOR:
P.O. NO.:
S.O. NO.:
QUOTE NO.:
TAG NO.:

| PART NO. | A | | B | | C | | D | | E | | F | | G | | H | | WT. (DRY) | |
|-----------|------|-----|-----|-----|------|-----|-------|------|-----|-----|-------|-----|------|-----|-------|------|-----------|-----|
| | IN. | MM. | IN. | MM. | IN. | MM. | IN. | MM. | IN. | MM. | IN. | MM. | IN. | MM. | IN. | MM. | LBS. | KG. |
| FLT4201FV | 5.69 | 145 | 10 | 254 | 3.25 | 83 | 35.25 | 895 | 20 | 508 | 18.38 | 467 | 8.63 | 219 | 23.88 | 607 | 53 | 24 |
| FLT4202FV | 5.69 | 145 | 10 | 254 | 3.25 | 83 | 51.25 | 1302 | 36 | 914 | 18.38 | 467 | 8.63 | 219 | 39.88 | 1013 | 66 | 30 |

| | | | | | | | |
|--------------|--------|---|----------|-------|-----|------|----------|
| EATON | | EATON FILTRATION, LLC | | | | | |
| | | 44 APPLE ST. TINTON FALLS, NEW JERSEY 07724 U.S.A. | | | | | |
| NAME | | POLYLINE BAG FILTER FLANGE CONNECTION SIZE 2" POLYPROPYLENE | | | | | |
| DRAWN | FM | DATE | 10/22/19 | CERT. | VAA | DATE | 10/22/19 |
| SIZE | DWG NO | SD02100FV | | | REV | A | |

UNAUTHORIZED USE, MANUFACTURE OR REPRODUCTION IN WHOLE OR IN PART IS PROHIBITED. DRAWING, DESIGN AND OTHER DISCLOSURES PROPERTY OF EATON FILTRATION, LLC

ELECTRONIC FILE NAME: SD02100FV
REF. ECR 0198289 DATE 01/06/20



| NO. | PART NAME | MATERIAL |
|-----|--------------|------------------|
| 1 | VENT VALVE | GLASS-FILLED PPL |
| 2 | COVER | GLASS-FILLED PPL |
| 3 | BODY | GLASS-FILLED PPL |
| 4 | BASKET | GLASS-FILLED PPL |
| 5 | DRAIN PLUG | GLASS-FILLED PPL |
| 6 | PLUG | GLASS-FILLED PPL |
| 7 | O-RING | VITON |
| 8 | BAG RETAINER | GLASS-FILLED PPL |
| 9 | O-RING | VITON |

NOTES:

- PRESSURE RATING: 150 PSI @ 70° F (NON SHOCK) (10.3 BAR @ 21° C)
MAX. TEMPERATURE RATING: 240°F @ 70 PSI (115°C @ 4.8 BAR)
- DIFFERENTIAL PRESSURE GAUGE IS OPTIONAL.
- PIPING CONNECTION (NOM.): 2" NPT (50MM)
DRAIN CONNECTION (NOM.): 2" NPT (50MM)
- BAG SIZES:
BAG #1-SINGLE LENGTH
7" X 16" (2.0 SQ.FT.)
178 MM X 406 MM (1858 SQ.CM.)
BAG #2-DOUBLE LENGTH
7" X 32" (4.1 SQ.FT.)
178 MM X 813 MM (3809 SQ.CM.)
- FOR METAL PIPING INSTALLATION, A MINIMUM OF 20" PLASTIC PIPE IS REQUIRED ON UPSTREAM AND DOWNSTREAM OF FILTER VESSEL.

CERTIFIED FOR:

P.O. NO.:

S.O. NO.:

QUOTE NO.:

TAG NO.:

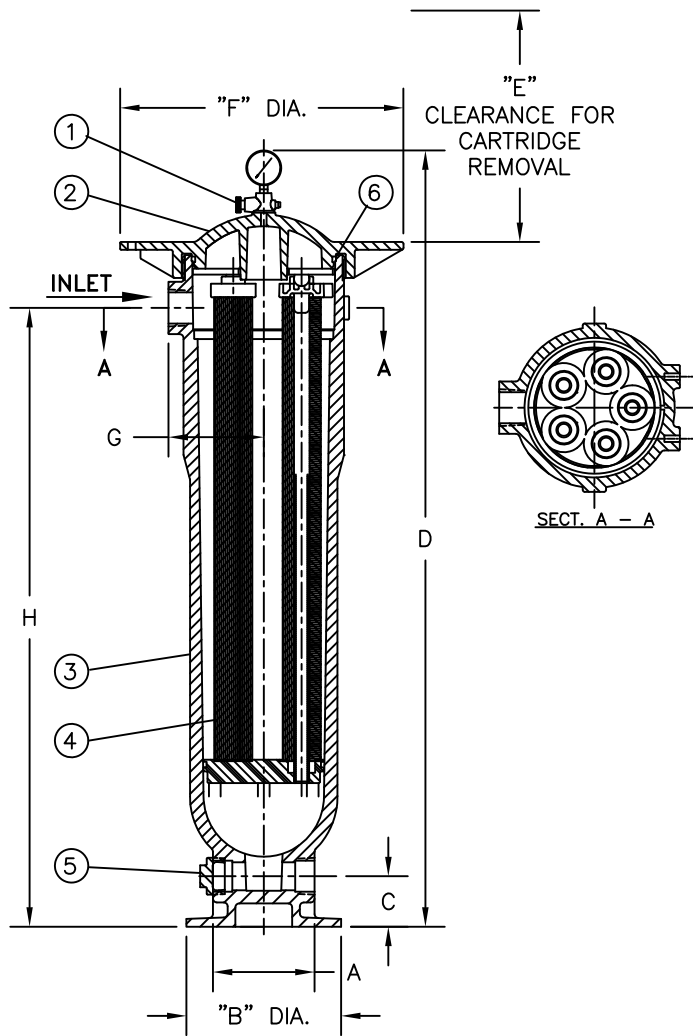
| PART NO. | A | | B | | C | | D | | E | | F | | G | | H | | WT. (DRY) | |
|----------|------|-------|-----|-------|------|------|-------|--------|-----|-------|-------|-------|------|-------|-------|--------|-----------|--------|
| | IN. | MM. | IN. | MM. | IN. | MM. | IN. | MM. | IN. | MM. | IN. | MM. | IN. | MM. | IN. | MM. | LBS. | KG. |
| FLT4201V | 6.50 | / 165 | 10 | / 254 | 3.25 | / 83 | 35.25 | / 895 | 20 | / 508 | 18.38 | / 467 | 6.13 | / 156 | 23.88 | / 607 | 49 | / 22.3 |
| FLT4202V | 6.50 | / 165 | 10 | / 254 | 3.25 | / 83 | 51.25 | / 1302 | 36 | / 914 | 18.38 | / 467 | 6.13 | / 156 | 39.88 | / 1013 | 63 | / 28.6 |

| | | | | | | | |
|-------|-----|--|----------|-------|-----|------|----------|
| | | EATON FILTRATION, LLC 44 APPLE ST. TINTON FALLS, NEW JERSEY 07724 U.S.A. | | | | | |
| | | NAME POLYLINE BAG FILTER NPT THREADED CONNECTION SIZE 2" POLYPROPYLENE | | | | | |
| DRAWN | FM | DATE | 10/24/19 | CERT. | VAA | DATE | 10/24/19 |
| SIZE | DWG | SD021000V | | | | REV | A |
| A | NO | | | | | A | |

ELECTRONIC FILE NAME: SD021000V

REF. ECR 0198289 DATE 01/06/20

UNAUTHORIZED USE, MANUFACTURE OR REPRODUCTION IN WHOLE OR IN PART IS PROHIBITED. DRAWING, DESIGN AND OTHER DISCLOSURES PROPERTY OF EATON FILTRATION, LLC

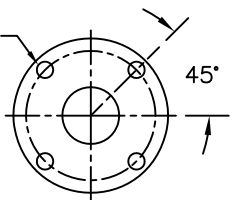


| NO. | PART NAME | MATERIAL |
|-----|---------------|------------------|
| 1 | VENT VALVE | GLASS-FILLED PPL |
| 2 | COVER | GLASS-FILLED PPL |
| 3 | BODY | GLASS-FILLED PPL |
| 4 | CARTRIDGE (5) | AS SPECIFIED |
| 5 | DRAIN PLUG | GLASS-FILLED PPL |
| 6 | O-RING | VITON |

NOTES:

1. PRESSURE RATING: 150 PSI @ 70° F (NON SHOCK) (10.3 BAR @ 21° C)
2. VENT GAUGE AND DIFFERENTIAL PRESSURE GAUGE ARE OPTIONAL.
3. PIPING CONNECTION (NOM.): 2" NPT (50MM)
DRAIN CONNECTION (NOM.): 2" NPT (50MM)
4. FOR METAL PIPING INSTALLATION, A MINIMUM OF 20" PLASTIC PIPE IS REQUIRED ON UPSTREAM AND DOWNSTREAM OF FILTER VESSEL.
5. CARTRIDGE ADAPTER KIT, PART NO.: MFLT20/30 ARE SOLD SEPARATELY.

(4) 0.88 DIA. (22 MM)
ON 7.50" (191 MM)
DIA. BOLT CIRCLE



Quick & Discounted Pricing
[Click Here](#)
Or Call 908.362.9981

REQUIRES PURCHASE OF A FILTER CARTRIDGE ADAPTER KIT (SOLD SEPARATELY)

| PART NO. | A | | B | | C | | D | | E | | F | | G | | H | | WT. (DRY) | |
|----------|------|-----|-----|-----|------|-----|-------|------|-----|-----|-------|-----|------|-----|-------|------|-----------|------|
| | IN. | MM. | IN. | MM. | IN. | MM. | IN. | MM. | IN. | MM. | IN. | MM. | IN. | MM. | IN. | MM. | LBS. | KG. |
| CFLT4203 | 6.50 | 165 | 10 | 254 | 3.25 | 83 | 38.12 | 968 | 25 | 635 | 18.38 | 467 | 6.13 | 156 | 27.88 | 708 | 50 | 22.7 |
| CFLT4202 | 6.50 | 165 | 10 | 254 | 3.25 | 83 | 50.12 | 1273 | 36 | 914 | 18.38 | 467 | 6.13 | 156 | 39.88 | 1013 | 65 | 29.5 |

| PART NO. | CARTRIDGE SIZE (5/FILTER) |
|----------|---------------------------|
| CFLT4203 | 20" |
| CFLT4202 | 30" |

| | | | | | | | |
|-------|--------|--|---------|-------|----|------|---------|
| | | EATON FILTRATION, LLC 44 APPLE ST. TINTON FALLS, NEW JERSEY 07724 U.S.A. | | | | | |
| | | NAME POLYLINE MULTI-CARTRIDGE FILTER NPT THREADED CONNECTION SIZE 2" POLYPROPYLENE | | | | | |
| DRAWN | FM | DATE | 3/24/98 | CERT. | LF | DATE | 3/24/98 |
| SIZE | DWG NO | SD021300 | | | | REV | B |

UNAUTHORIZED USE, MANUFACTURE OR REPRODUCTION IN WHOLE OR IN PART IS PROHIBITED. DRAWING, DESIGN AND OTHER DISCLOSURES PROPERTY OF EATON FILTRATION, LLC

ELECTRONIC FILE NAME: SD021300

REF. ECR A077 DATE 12/14/01