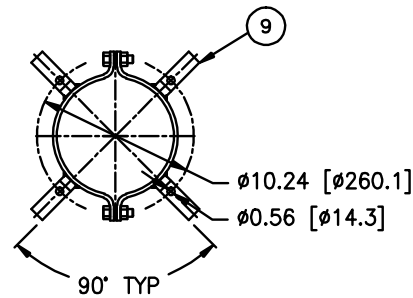
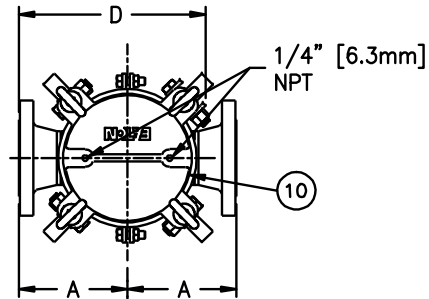
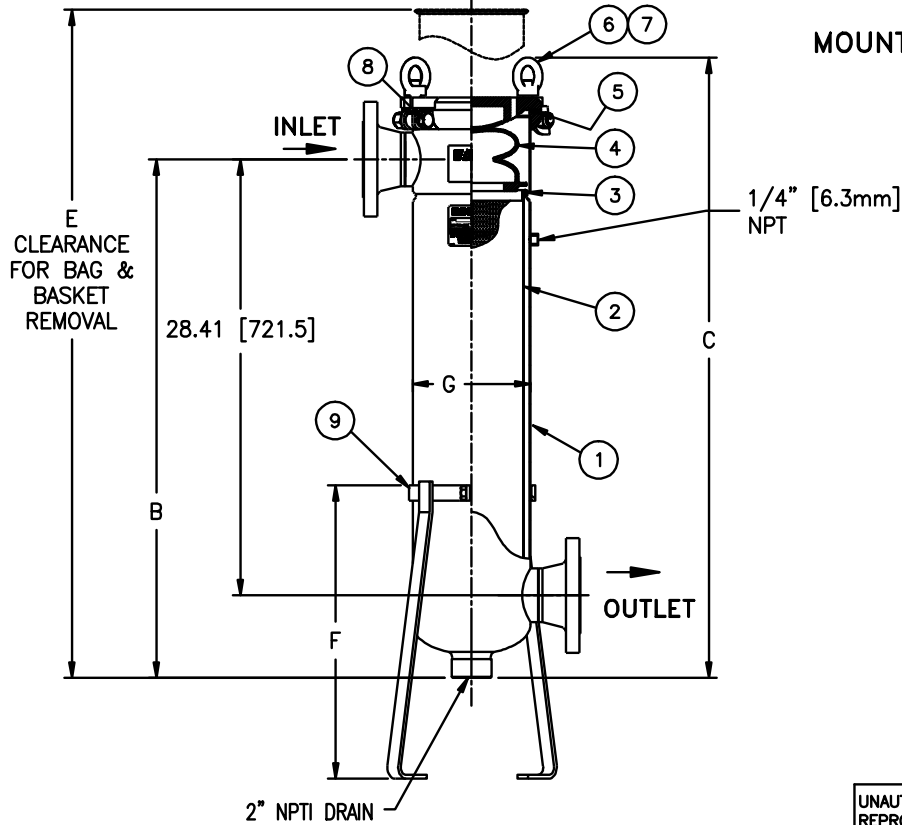


ITEM NUMBER	VESSEL CODE	BAG SIZE	A IN. / MM	B IN. / MM	C IN. / MM	D IN. / MM	E IN. / MM	F IN. / MM	G IN. / MM	FLOW RATE GPM (MAX)	WEIGHT LBS / KGS
SBL102S63ASOBSP0	FBF2-0102-AB10-030A-I	O2	7.08 / 180	33.78 / 858	40.41 / 1026	12.15 / 309	66.50 / 1689	19.10 / 485	7.68 / 195	180	79 / 35.9



MOUNTING DETAIL

NO.	PART NAME	MATERIAL
1	BODY	316 STAINLESS STEEL
2	RESTRAINER BASKET	316 STAINLESS STEEL
3	BASKET O-RING	BUNA-N
4	BAG HOLD DOWN	KYNAR PVDF
5	O-RING	BUNA-N
6	EYE BOLT	STEEL, ZINC PLATED
7	EYE NUT	STEEL, ZINC PLATED
8	BOLT	STEEL, ZINC PLATED
9	LEGS	CARBON STEEL
10	COVER	316 STAINLESS STEEL



NOTES:

- INLET/OUTLET FLANGED CONNECTIONS PER ANSI B16.5
- MAWP: 150 PSI @ 250' F (10.3 BAR @ 121.1' C) MDMT: -20' F @ 150 PSI (-28.9' C @ 10.3 BAR)
- MAXIMUM OPERATING TEMP. 250' F (121.1' C)

**Quick & Discounted Pricing**  
[Click Here](#)  
 Or Call 908.362.9981

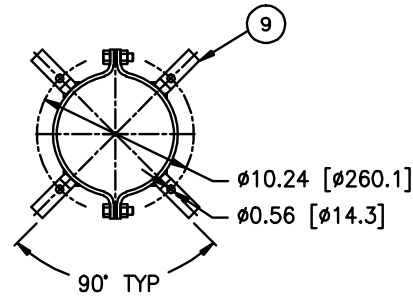
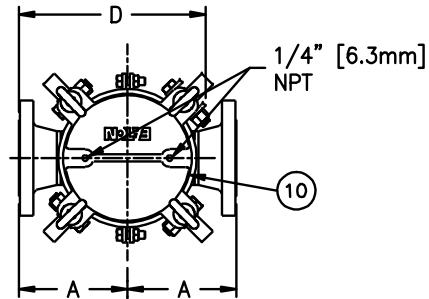
<b>EATON</b>	<b>EATON FILTRATION, LLC</b>	
	70 WOOD AVENUE SOUTH, ISELIN, NEW JERSEY 08830	
NAME	FLOWLINE II FILTER VESSEL 3" 150# FLANGED CONNECTION STAINLESS STEEL	
DRAWN	MAQ	DATE 02/10/10
SIZE <b>A</b>	DWG NO	DATE
FBF202XSf-31		REV <b>A</b>

ELECTRONIC FILE NAME:  
FBF202XSf-31.dwg

REF. ECR	DATE 02/10/10
----------	---------------

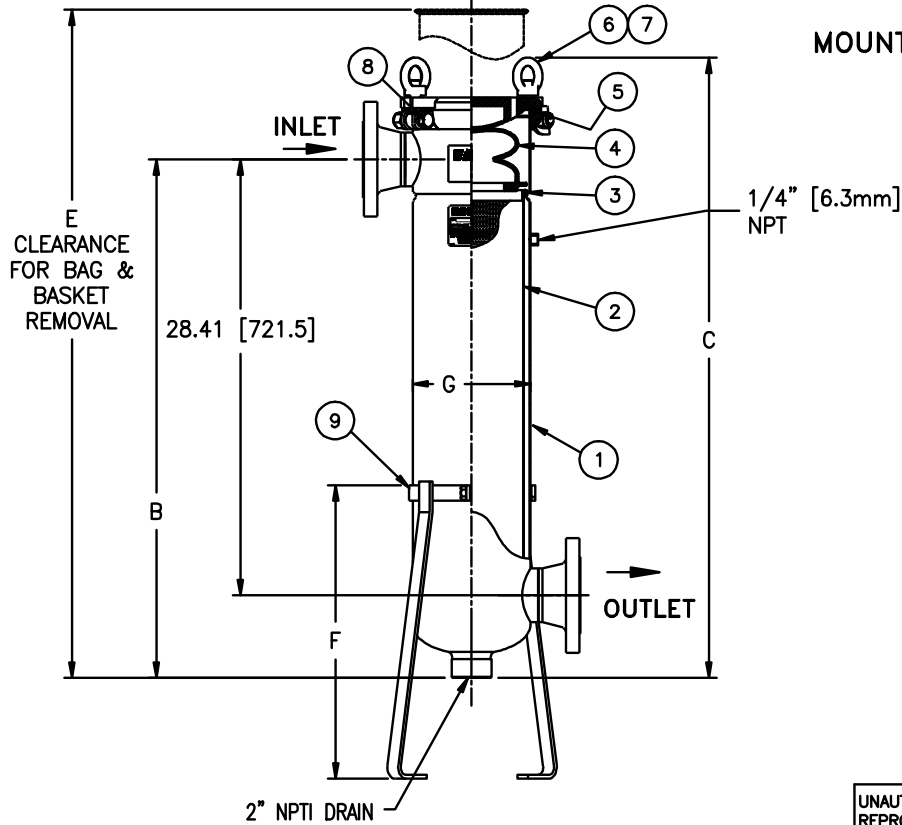
UNAUTHORIZED USE, MANUFACTURE OR REPRODUCTION IN WHOLE OR IN PART IS PROHIBITED. DRAWING, DESIGN AND OTHER DISCLOSURES PROPERTY OF EATON FILTRATION, LLC

ITEM NUMBER	VESSEL CODE	BAG SIZE	A IN. / MM	B IN. / MM	C IN. / MM	D IN. / MM	E IN. / MM	F IN. / MM	G IN. / MM	FLOW RATE GPM (MAX)	WEIGHT LBS / KGS
SBL102S43ASOBSP0	FBF2-0102-BB10-030A-I	O2	7.08 / 180	33.78 / 858	40.41 / 1026	12.15 / 309	66.50 / 1689	19.10 / 485	7.68 / 195	180	79 / 35.9



MOUNTING DETAIL

NO.	PART NAME	MATERIAL
1	BODY	304 STAINLESS STEEL
2	RESTRAINER BASKET	316 STAINLESS STEEL
3	BASKET O-RING	BUNA-N
4	BAG HOLD DOWN	KYNAR PVDF
5	O-RING	BUNA-N
6	EYE BOLT	STEEL, ZINC PLATED
7	EYE NUT	STEEL, ZINC PLATED
8	BOLT	STEEL, ZINC PLATED
9	LEGS	CARBON STEEL
10	COVER	304 STAINLESS STEEL



NOTES:

- INLET/OUTLET FLANGED CONNECTIONS PER ANSI B16.5
- MAWP: 150 PSI @ 250° F (10.3 BAR @ 121.1° C) MDMT: -20° F @ 150 PSI (-28.9° C @ 10.3 BAR)
- MAXIMUM OPERATING TEMP. 250° F (121.1° C)

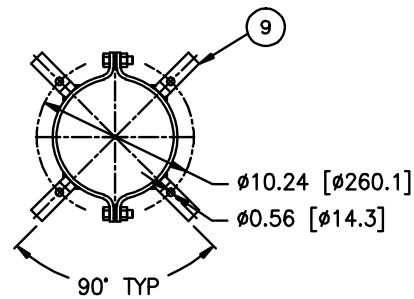
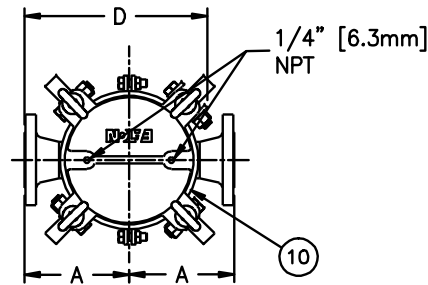
Quick & Discounted Pricing  
[Click Here](#)  
 Or Call 908.362.9981

<b>EATON</b>	<b>EATON FILTRATION, LLC</b>	
	70 WOOD AVENUE SOUTH, ISELIN, NEW JERSEY 08830	
NAME		FLOWLINE II FILTER VESSEL 3" 150# FLANGED CONNECTION STAINLESS STEEL-304
DRAWN	MAQ	DATE 02/10/10 CERT. DATE
SIZE A	DWG NO	FBF202XSF-31-304 REV A

ELECTRONIC FILE NAME:  
 FBF202XSF-31-304.dwg  
 REF. ECR DATE 02/10/10

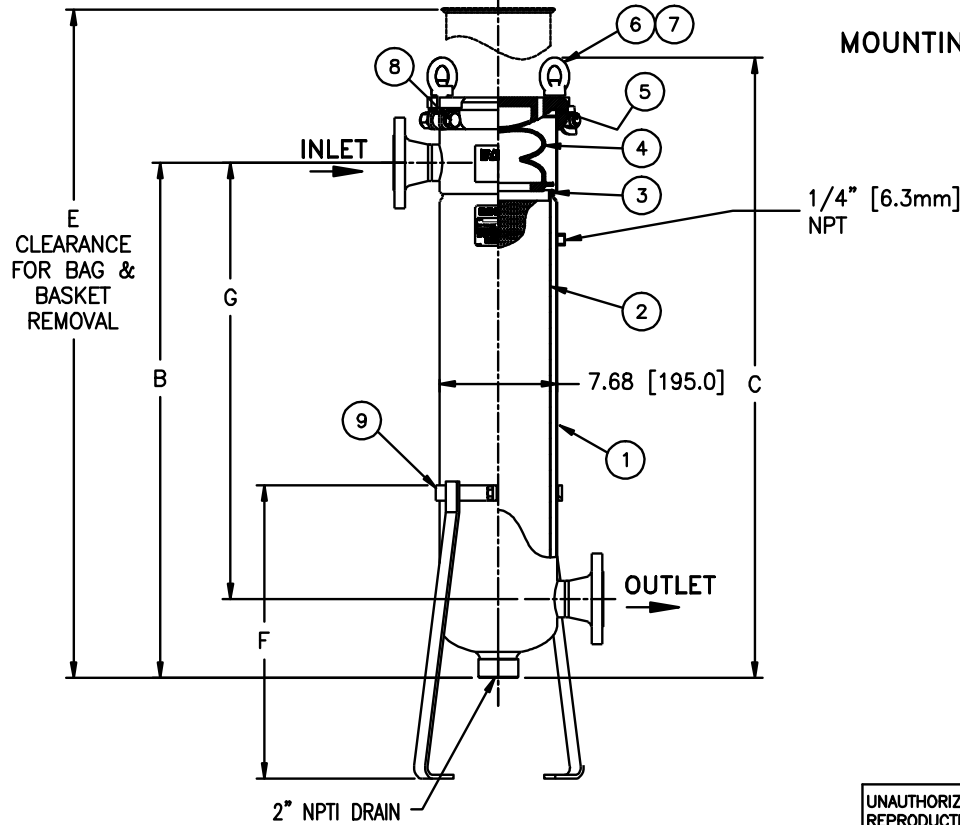
UNAUTHORIZED USE, MANUFACTURE OR REPRODUCTION IN WHOLE OR IN PART IS PROHIBITED. DRAWING, DESIGN AND OTHER DISCLOSURES PROPERTY OF EATON FILTRATION, LLC

ITEM NUMBER	VESSEL CODE	BAG SIZE	A IN. / MM	B IN. / MM	C IN. / MM	D IN. / MM	E IN. / MM	F IN. / MM	G IN. / MM	FLOW RATE GPM (MAX)	WEIGHT LBS / KGS
SBL101CS2ASOBSP0	FBF2-0101-CS10-020A-I	01	6.84 / 174	18.39 / 467	25.25 / 641	11.92 / 303	34.44 / 875	19.10 / 485	11.5 / 292	90	44 / 20.0
SBL102CS2ASOBSP0	FBF2-0102-CS10-020A-I	02	6.84 / 174	33.55 / 852	40.41 / 1026	11.92 / 303	67.52 / 1715	19.10 / 485	28.4 / 721	180	57 / 25.9



NO.	PART NAME	MATERIAL
1	BODY	CARBON STEEL
2	RESTRAINER BASKET	316 STAINLESS STEEL
3	BASKET O-RING	BUNA-N
4	BAG HOLD DOWN	KYNAR PVDF
5	O-RING	BUNA-N
6	EYE BOLT	STEEL, ZINC PLATED
7	EYE NUT	STEEL, ZINC PLATED
8	BOLT	STEEL, ZINC PLATED
9	LEGS	CARBON STEEL
10	COVER	CARBON STEEL

MOUNTING DETAIL



NOTES:

- INLET/OUTLET FLANGED CONNECTIONS PER ANSI B16.5
- MAWP: 150 PSI @ 250° F (10.3 BAR @ 121.1° C)  
MDMT: -20° F @ 150 PSI (-28.9° C @ 10.3 BAR)
- MAXIMUM OPERATING TEMP. 250° F (121.1° C)
- PAINT C/STL. PER EATON SPECIFICATION ES-301.

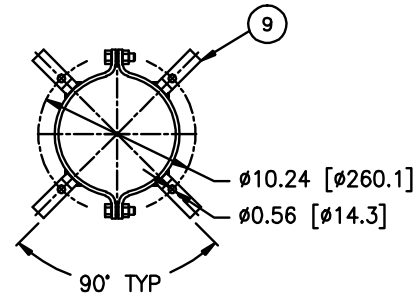
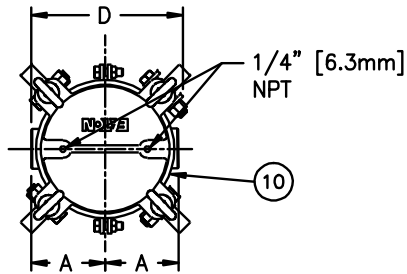
**Quick & Discounted Pricing**  
[Click Here](#)  
 Or Call 908.362.9981

<b>EATON</b>	<b>EATON FILTRATION, LLC</b>	
	70 WOOD AVENUE SOUTH, ISELIN, NEW JERSEY 08830	
NAME		FLOWLINE II FILTER VESSEL 2" 150# FLANGED CONNECTION CARBON STEEL
DRAWN	MAQ	DATE 02/09/10   CERT.   DATE
SIZE <b>A</b>	DWG NO	<b>FBF211XCF-DPSO</b>
REF. ECR		REV <b>A</b>

ELECTRONIC FILE NAME: FBF211XCF-DPSO.dwg  
 REF. ECR DATE 02/09/10

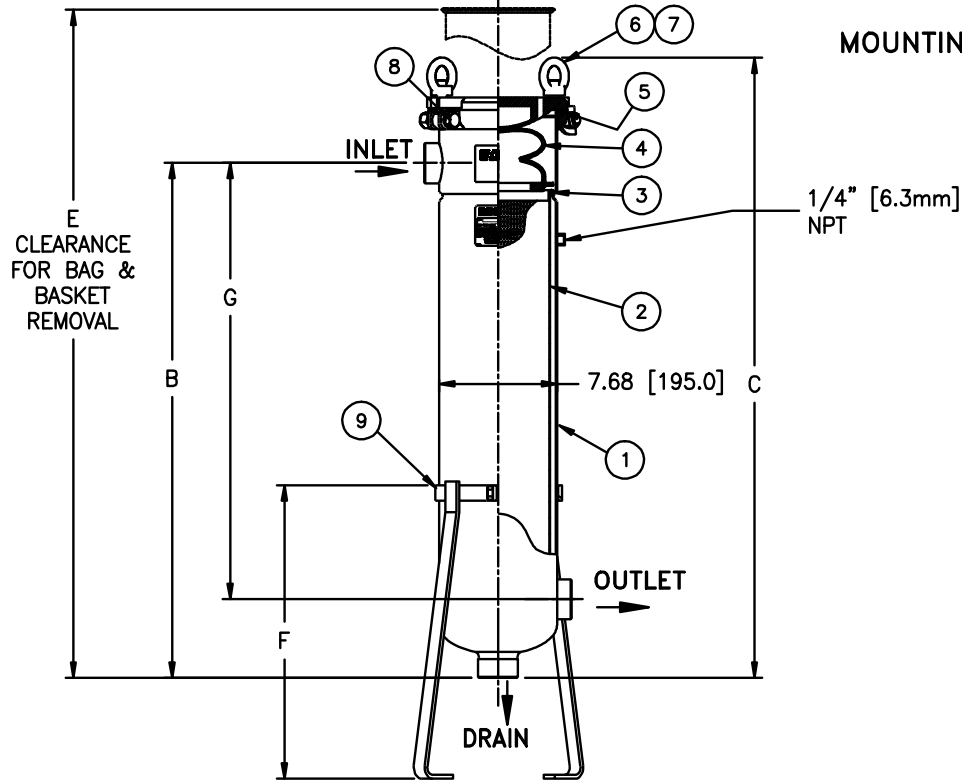
UNAUTHORIZED USE, MANUFACTURE OR REPRODUCTION IN WHOLE OR IN PART IS PROHIBITED. DRAWING, DESIGN AND OTHER DISCLOSURES PROPERTY OF EATON FILTRATION, LLC

ITEM NUMBER	VESSEL CODE	BAG SIZE	A IN. / MM	B IN. / MM	C IN. / MM	D IN. / MM	E IN. / MM	F IN. / MM	G IN. / MM	FLOW RATE GPM (MAX)	WEIGHT LBS / KGS
SBL101S42NSOBSP0	FBF2-0101-BB10-020N-I	01	4.80 / 122	18.39 / 467	25.25 / 641	9.88 / 251	35.55 / 903	19.10 / 485	11.5 / 292	90	37 / 16.8
SBL102S42NSOBSP0	FBF2-0102-BB10-020N-I	02	4.80 / 122	33.55 / 852	40.41 / 1026	9.88 / 251	66.50 / 1689	19.10 / 485	28.4 / 721	180	50 / 22.7



MOUNTING DETAIL

NO.	PART NAME	MATERIAL
1	BODY	304 STAINLESS STEEL
2	RESTRAINER BASKET	316 STAINLESS STEEL
3	BASKET O-RING	BUNA-N
4	BAG HOLD DOWN	KYNAR PVDF
5	O-RING	BUNA-N
6	EYE BOLT	STEEL, ZINC PLATED
7	EYE NUT	STEEL, ZINC PLATED
8	BOLT	STEEL, ZINC PLATED
9	LEGS	CARBON STEEL
10	COVER	304 STAINLESS STEEL



NOTES:

- INLET/OUTLET/DRAIN ARE 2" NPT CONNECTIONS
- MAWP: 150 PSI @ 250' F (10.3 BAR @ 121.1' C)      MDMT: -20' F @ 150 PSI (-28.9' C @ 10.3 BAR)
- MAXIMUM OPERATING TEMP. 250' F (121.1' C)

**Quick & Discounted Pricing**  
[Click Here](#)  
 Or Call 908.362.9981

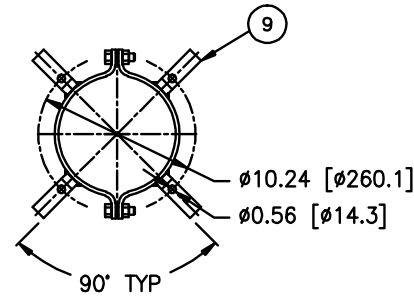
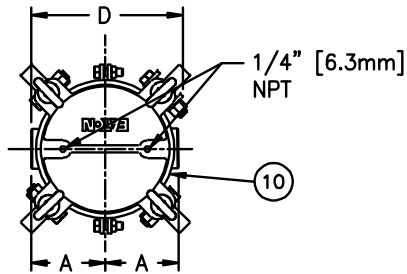
<b>EATON</b>	<b>EATON FILTRATION, LLC</b>	
	70 WOOD AVENUE SOUTH, ISELIN, NEW JERSEY 08830	
NAME	FLOWLINE II FILTER VESSEL 2" NPT THREADED CONNECTION STAINLESS STEEL-304	

ELECTRONIC FILE NAME:  
FBF211XS-DPS0304.dwg  
REF. ECR      DATE 02/11/10

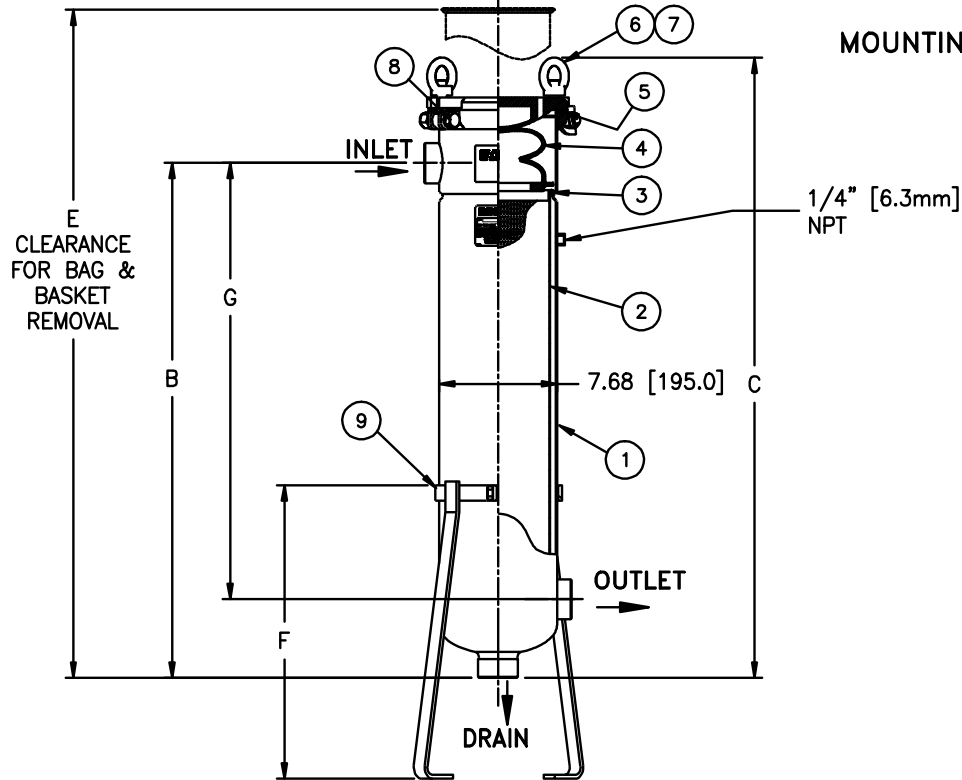
UNAUTHORIZED USE, MANUFACTURE OR REPRODUCTION IN WHOLE OR IN PART IS PROHIBITED. DRAWING, DESIGN AND OTHER DISCLOSURES PROPERTY OF EATON FILTRATION, LLC

DRAWN	MAQ	DATE 02/11/10	CERT.	DATE
SIZE A	DWG NO	FBF211XS-DPS0304		REV A

ITEM NUMBER	VESSEL CODE	BAG SIZE	A IN. / MM	B IN. / MM	C IN. / MM	D IN. / MM	E IN. / MM	F IN. / MM	G IN. / MM	FLOW RATE GPM (MAX)	WEIGHT LBS / KGS
SBL101CS2NSOBSPO	FBF2-0101-CS10-020N-I	01	4.80 / 122	18.39 / 467	25.25 / 641	9.88 / 251	35.55 / 903	19.10 / 485	11.5 / 292	90	37 / 16.8
SBL102CS2NSOBSPO	FBF2-0102-CS10-020N-I	02	4.80 / 122	33.55 / 852	40.41 / 1026	9.88 / 251	66.50 / 1689	19.10 / 485	28.4 / 721	180	50 / 22.7



NO.	PART NAME	MATERIAL
1	BODY	CARBON STEEL
2	RESTRAINER BASKET	316 STAINLESS STEEL
3	BASKET O-RING	BUNA-N
4	BAG HOLD DOWN	KYNAR PVDF
5	O-RING	BUNA-N
6	EYE BOLT	STEEL, ZINC PLATED
7	EYE NUT	STEEL, ZINC PLATED
8	BOLT	STEEL, ZINC PLATED
9	LEGS	CARBON STEEL
10	COVER	CARBON STEEL



MOUNTING DETAIL

NOTES:

1. INLET/OUTLET/DRAIN ARE 2" NPTI CONNECTIONS
2. MAWP: 150 PSI @ 250' F (10.3 BAR @ 121.1' C) MDMT: -20' F @ 150 PSI (-28.9' C @ 10.3 BAR)
3. MAXIMUM OPERATING TEMP. 250' F (121.1' C)
4. PAINT C/STL. PER EATON SPECIFICATION ES-301.

**Quick & Discounted Pricing**  
[Click Here](#)  
 Or Call 908.362.9981

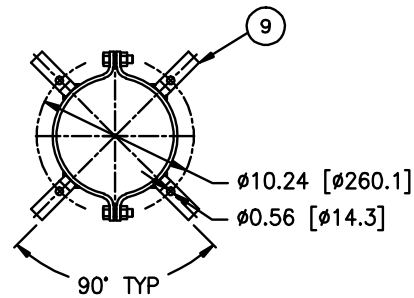
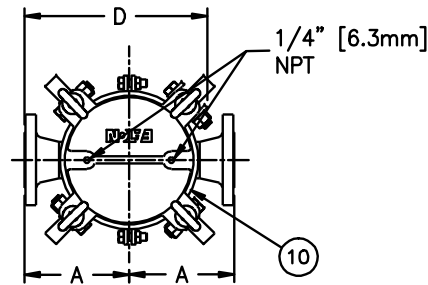
**EATON** **EATON FILTRATION, LLC**  
 70 WOOD AVENUE SOUTH, ISELIN, NEW JERSEY 08830  
 NAME FLOWLINE II FILTER VESSEL  
 2" NPT THREADED CONNECTION  
 CARBON STEEL

ELECTRONIC FILE NAME:  
 FBF211XC-DPS0.dwg  
 REF. ECR DATE 02/11/10

UNAUTHORIZED USE, MANUFACTURE OR REPRODUCTION IN WHOLE OR IN PART IS PROHIBITED. DRAWING, DESIGN AND OTHER DISCLOSURES PROPERTY OF EATON FILTRATION, LLC

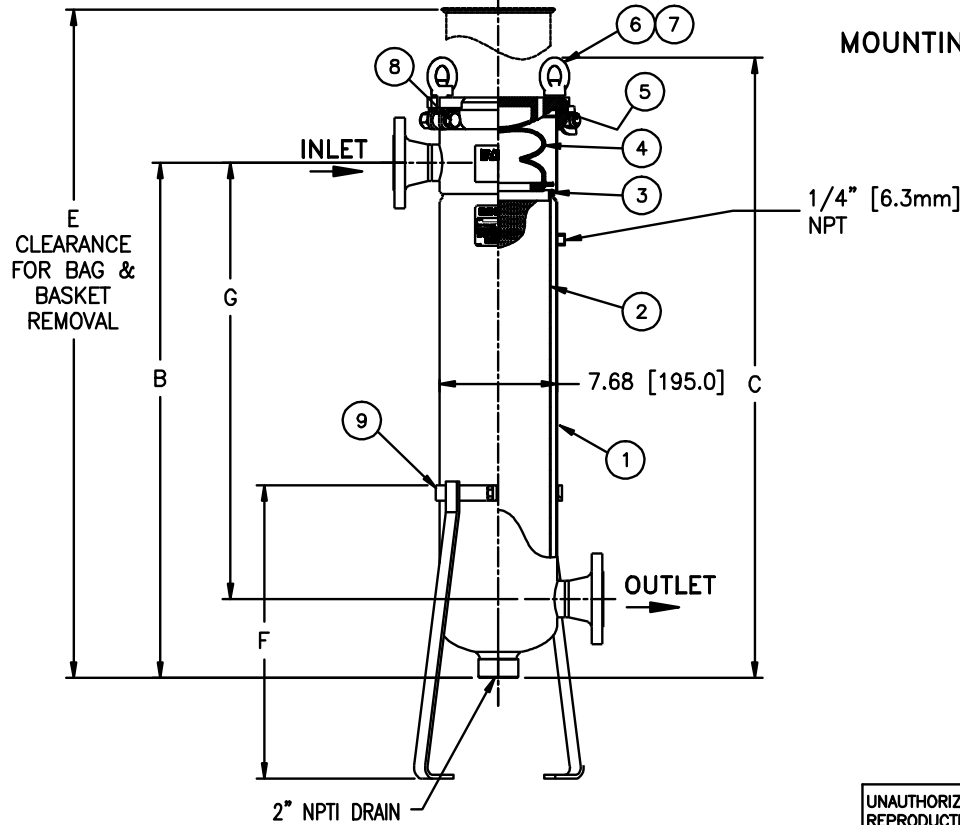
DRAWN	MAQ	DATE 02/11/10	CERT.	DATE
SIZE A	DWG NO	FBF211XC-DPS0		REV A

ITEM NUMBER	VESSEL CODE	BAG SIZE	A IN. / MM	B IN. / MM	C IN. / MM	D IN. / MM	E IN. / MM	F IN. / MM	G IN. / MM	FLOW RATE GPM (MAX)	WEIGHT LBS / KGS
SBL101S42ASOBSP0	FBF2-0101-BB10-020A-I	01	6.84 / 174	18.39 / 467	25.25 / 641	11.92 / 303	34.44 / 875	19.10 / 485	11.5 / 292	90	44 / 20.0
SBL102S42ASOBSP0	FBF2-0102-BB10-020A-I	02	6.84 / 174	33.55 / 852	40.41 / 1026	11.92 / 303	67.52 / 1715	19.10 / 485	28.4 / 721	180	57 / 25.9



MOUNTING DETAIL

NO.	PART NAME	MATERIAL
1	BODY	304 STAINLESS STEEL
2	RESTRAINER BASKET	316 STAINLESS STEEL
3	BASKET O-RING	BUNA-N
4	BAG HOLD DOWN	KYNAR PVDF
5	O-RING	BUNA-N
6	EYE BOLT	STEEL, ZINC PLATED
7	EYE NUT	STEEL, ZINC PLATED
8	BOLT	STEEL, ZINC PLATED
9	LEGS	CARBON STEEL
10	COVER	304 STAINLESS STEEL



NOTES:

- INLET/OUTLET FLANGED CONNECTIONS PER ANSI B16.5
- MAWP: 150 PSI @ 250' F (10.3 BAR @ 121.1' C) MDMT: -20' F @ 150 PSI (-28.9' C @ 10.3 BAR)
- MAXIMUM OPERATING TEMP. 250' F (121.1' C)

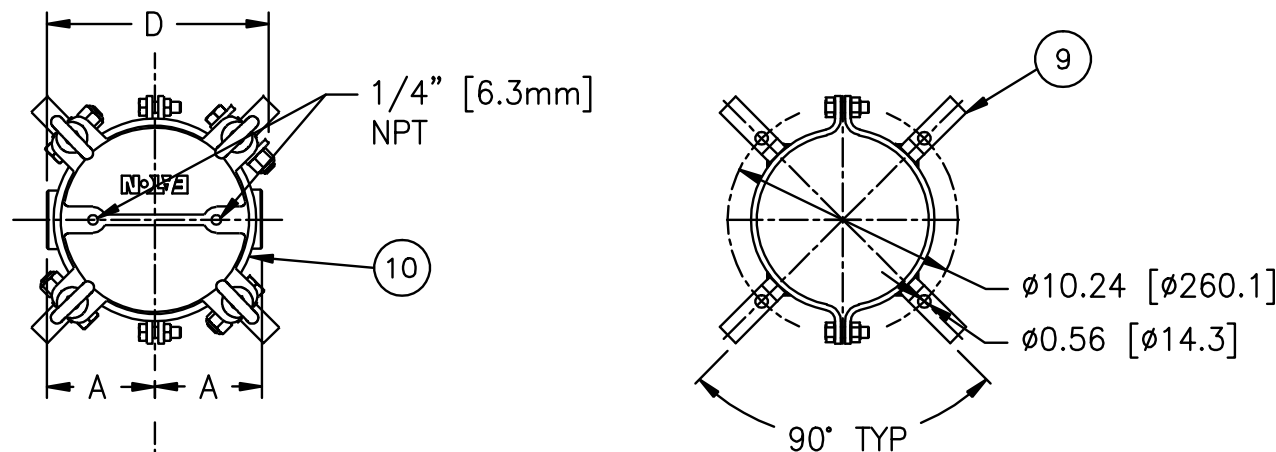
**Quick & Discounted Pricing**  
[Click Here](#)  
 Or Call 908.362.9981

<b>EATON</b>	<b>EATON FILTRATION, LLC</b>	
	70 WOOD AVENUE SOUTH, ISELIN, NEW JERSEY 08830	
NAME		FLOWLINE II FILTER VESSEL 2" 150# FLANGED CONNECTION STAINLESS STEEL-304
DRAWN	MAQ	DATE 02/09/10   CERT.   DATE
SIZE <b>A</b>	DWG NO <b>FBF211XSF-DPS0304</b>	REV <b>A</b>

ELECTRONIC FILE NAME:  
FBF211XSF-DPS0304.dwg  
REF. ECR | DATE 02/09/10

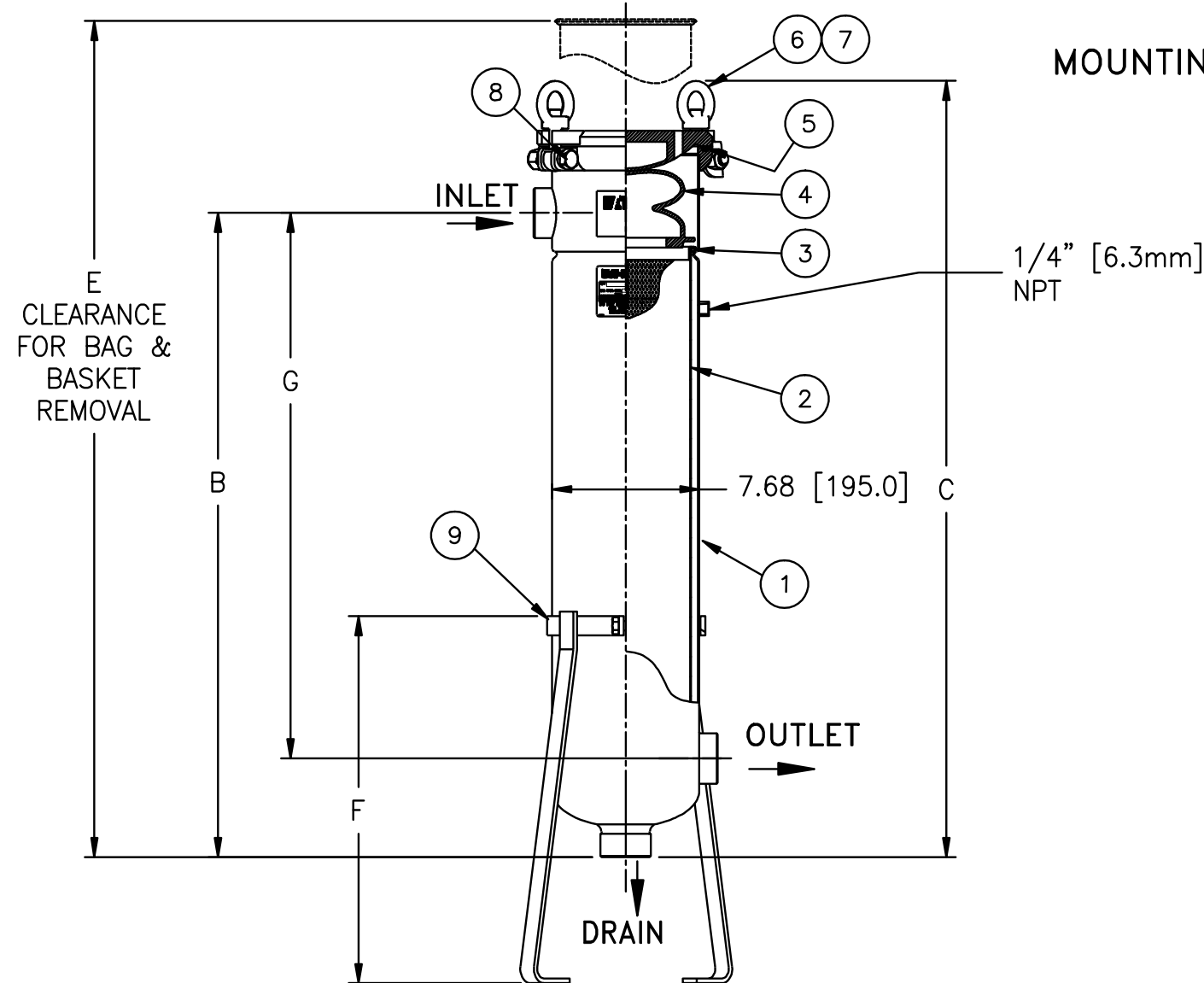
UNAUTHORIZED USE, MANUFACTURE OR REPRODUCTION IN WHOLE OR IN PART IS PROHIBITED. DRAWING, DESIGN AND OTHER DISCLOSURES PROPERTY OF EATON FILTRATION, LLC

ITEM NUMBER	VESSEL CODE	BAG SIZE	A IN. / MM	B IN. / MM	C IN. / MM	D IN. / MM	E IN. / MM	F IN. / MM	G IN. / MM	FLOW RATE GPM (MAX)	WEIGHT LBS / KGS
SBL101S62NSOBSPO	FBF2-0101-AB10-020N-I	01	4.80 / 122	18.39 / 467	25.25 / 641	9.88 / 251	35.55 / 903	19.10 / 485	11.5 / 292	90	37 / 16.8
SBL102S62NSOBSPO	FBF2-0102-AB10-020N-I	02	4.80 / 122	33.55 / 852	40.41 / 1026	9.88 / 251	66.50 / 1689	19.10 / 485	28.4 / 721	180	50 / 22.7



NO.	PART NAME	MATERIAL
1	BODY	316 STAINLESS STEEL
2	RESTRAINER BASKET	316 STAINLESS STEEL
3	BASKET O-RING	BUNA-N
4	BAG HOLD DOWN	KYNAR PVDF
5	O-RING	BUNA-N
6	EYE BOLT	STEEL, ZINC PLATED
7	EYE NUT	STEEL, ZINC PLATED
8	BOLT	STEEL, ZINC PLATED
9	LEGS	CARBON STEEL
10	COVER	316 STAINLESS STEEL

**MOUNTING DETAIL**



**NOTES:**

- INLET/OUTLET/DRAIN ARE 2" NPT CONNECTIONS
- MAWP: 150 PSI @ 250° F (10.3 BAR @ 121.1° C)      MDMT: -20° F @ 150 PSI (-28.9° C @ 10.3 BAR)
- MAXIMUM OPERATING TEMP. 250° F (121.1° C)

**Quick & Discounted Pricing**  
[Click Here](#)  
 Or Call 908.362.9981

<b>EATON</b>	<b>EATON FILTRATION, LLC</b>	
	70 WOOD AVENUE SOUTH, ISELIN, NEW JERSEY 08830	
NAME	FLOWLINE II FILTER VESSEL 2" NPT THREADED CONNECTION STAINLESS STEEL	

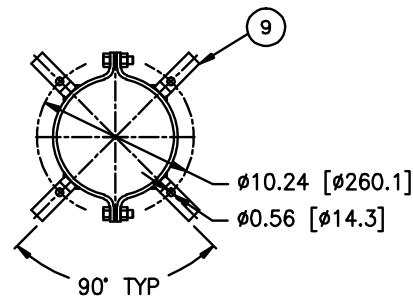
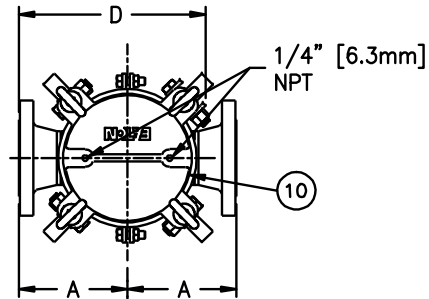
UNAUTHORIZED USE, MANUFACTURE OR REPRODUCTION IN WHOLE OR IN PART IS PROHIBITED. DRAWING, DESIGN AND OTHER DISCLOSURES PROPERTY OF EATON FILTRATION, LLC

DRAWN	MAQ	DATE	02/11/10	CERT.	DATE
SIZE	DWG NO	FBF211XS-DPS0			REV
A					A

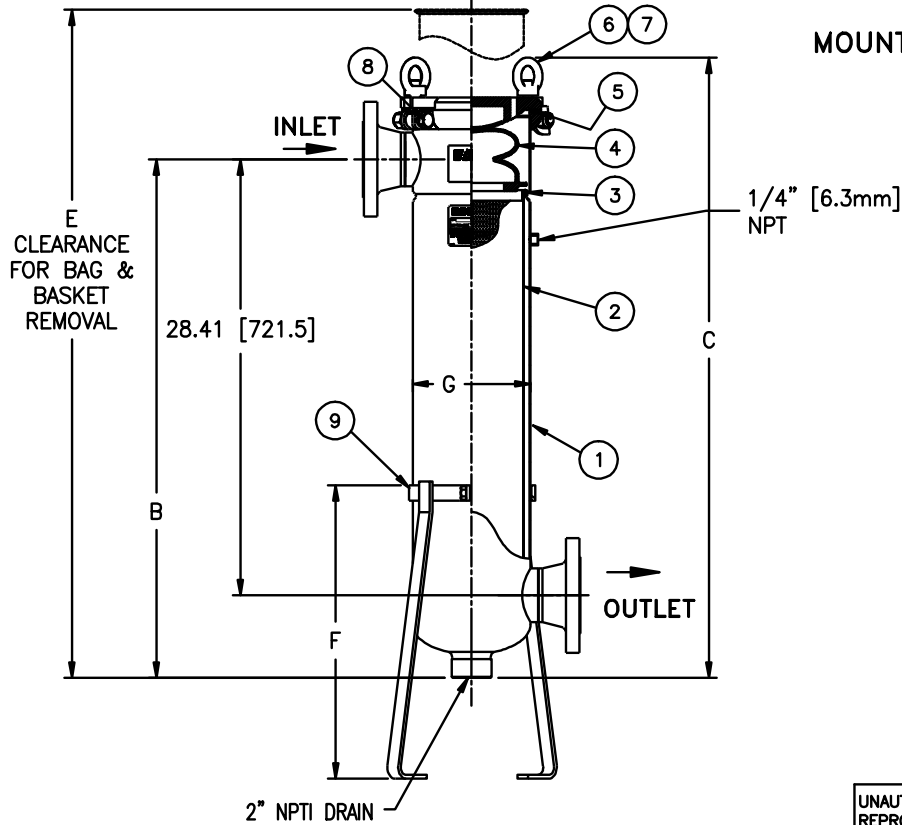
ELECTRONIC FILE NAME:  
FBF211XS-DPS0.dwg  
REF. ECR      DATE 02/11/10



ITEM NUMBER	VESSEL CODE	BAG SIZE	A IN. / MM	B IN. / MM	C IN. / MM	D IN. / MM	E IN. / MM	F IN. / MM	G IN. / MM	FLOW RATE GPM (MAX)	WEIGHT LBS / KGS
SBL102CS3ASOBSP0	FBF2-0102-CS10-030A-I	O2	7.08 / 180	33.78 / 858	40.41 / 1026	12.15 / 309	66.50 / 1689	19.10 / 485	7.68 / 195	180	79 / 35.9



NO.	PART NAME	MATERIAL
1	BODY	CARBON STEEL
2	RESTRAINER BASKET	316 STAINLESS STEEL
3	BASKET O-RING	BUNA-N
4	BAG HOLD DOWN	KYNAR PVDF
5	O-RING	BUNA-N
6	EYE BOLT	STEEL, ZINC PLATED
7	EYE NUT	STEEL, ZINC PLATED
8	BOLT	STEEL, ZINC PLATED
9	LEGS	CARBON STEEL
10	COVER	CARBON STEEL



**NOTES:**

- INLET/OUTLET FLANGED CONNECTIONS PER ANSI B16.5
- MAWP: 150 PSI @ 250° F (10.3 BAR @ 121.1° C) MDMT: -20° F @ 150 PSI (-28.9° C @ 10.3 BAR)
- MAXIMUM OPERATING TEMP. 250° F (121.1° C)
- PAIN C/STL. PER EATON SPECIFICATION ES-301.

**Quick & Discounted Pricing**  
[Click Here](#)  
 Or Call 908.362.9981

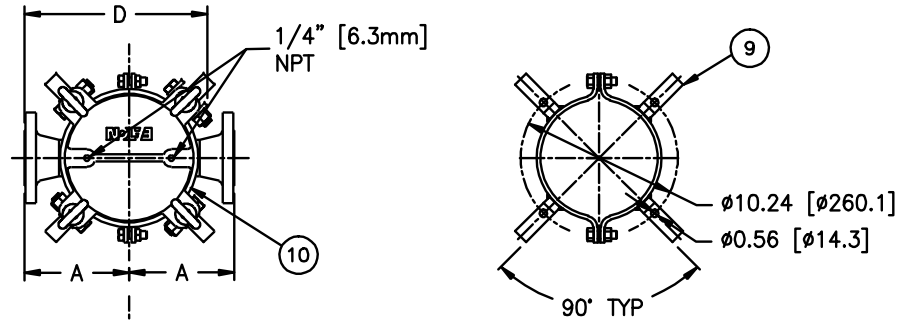
**EATON FILTRATION, LLC**  
 70 WOOD AVENUE SOUTH, ISELIN, NEW JERSEY 08830

**EATON** NAME FLOWLINE II FILTER VESSEL  
 3" 150# FLANGED CONNECTION  
 CARBON STEEL

ELECTRONIC FILE NAME: FBF202XCF-3l.dwg		UNAUTHORIZED USE, MANUFACTURE OR REPRODUCTION IN WHOLE OR IN PART IS PROHIBITED. DRAWING, DESIGN AND OTHER DISCLOSURES PROPERTY OF EATON FILTRATION, LLC	
REF. ECR	DATE 02/10/10	DRAWN MAQ	DATE 02/10/10 CERT. DATE
		SIZE A	DWG NO FBF202XCF-31
			REV A

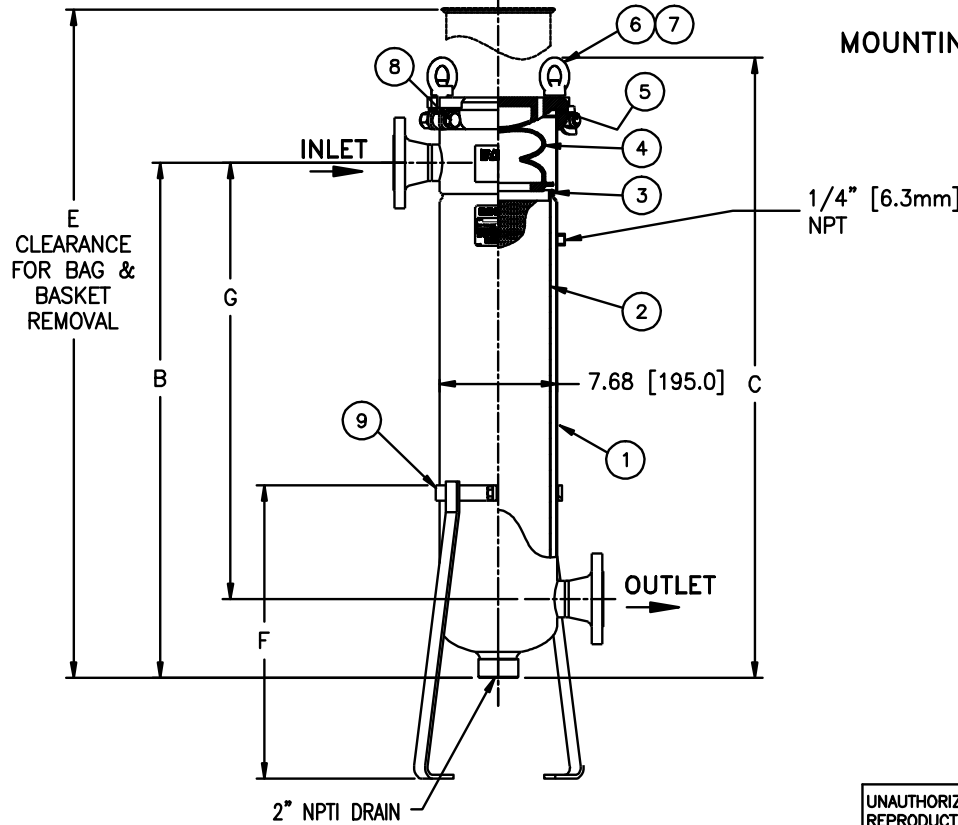


ITEM NUMBER	VESSEL CODE	BAG SIZE	A IN. / MM	B IN. / MM	C IN. / MM	D IN. / MM	E IN. / MM	F IN. / MM	G IN. / MM	FLOW RATE GPM (MAX)	WEIGHT LBS / KGS
SBL101S62ASOBSP0	FBF2-0101-AB10-020A-I	01	6.84 / 174	18.39 / 467	25.25 / 641	11.92 / 303	34.44 / 875	19.10 / 485	11.5 / 292	90	44 / 20.0
SBL102S62ASOBSP0	FBF2-0102-AB10-020A-I	02	6.84 / 174	33.55 / 852	40.41 / 1026	11.92 / 303	67.52 / 1715	19.10 / 485	28.4 / 721	180	57 / 25.9



NO.	PART NAME	MATERIAL
1	BODY	316 STAINLESS STEEL
2	RESTRAINER BASKET	316 STAINLESS STEEL
3	BASKET O-RING	BUNA-N
4	BAG HOLD DOWN	KYNAR PVDF
5	O-RING	BUNA-N
6	EYE BOLT	STEEL, ZINC PLATED
7	EYE NUT	STEEL, ZINC PLATED
8	BOLT	STEEL, ZINC PLATED
9	LEGS	CARBON STEEL
10	COVER	316 STAINLESS STEEL

**MOUNTING DETAIL**



**NOTES:**

- INLET/OUTLET FLANGED CONNECTIONS PER ANSI B16.5
- MAWP: 150 PSI @ 250° F (10.3 BAR @ 121.1° C)  
MDMT: -20° F @ 150 PSI (-28.9° C @ 10.3 BAR)
- MAXIMUM OPERATING TEMP. 250° F (121.1° C)

**Quick & Discounted Pricing**  
[Click Here](#)  
Or Call 908.362.9981

<b>EATON</b>	<b>EATON FILTRATION, LLC</b>	
	70 WOOD AVENUE SOUTH, ISELIN, NEW JERSEY 08830	
NAME		FLOWLINE II FILTER VESSEL 2" 150# FLANGED CONNECTION STAINLESS STEEL
DRAWN	MAQ	DATE 02/09/10
SIZE <b>A</b>	DWG NO	FIBF211XSF-DPS0
		REV <b>A</b>

ELECTRONIC FILE NAME: FBF211XSF-DPS0.dwg  
REF. ECR DATE 02/09/10

UNAUTHORIZED USE, MANUFACTURE OR REPRODUCTION IN WHOLE OR IN PART IS PROHIBITED. DRAWING, DESIGN AND OTHER DISCLOSURES PROPERTY OF EATON FILTRATION, LLC